

Armstrong Seismic Installation Update!

The Armstrong "Seismic Rx" System offers ICC-ES evaluated performance!

Armstrong is the **ONLY** manufacturer to have an ICC-ES evaluated approach for installations in IBC Categories D, E, and F that allows the use of 7/8" wall molding. (ESR-1308) The Armstrong "Seismic Rx" System offers a labor and cost saving method of meeting seismic code without risk of delaying your construction schedule.

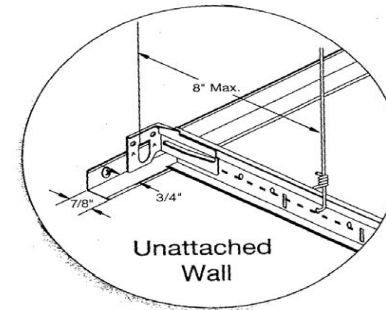
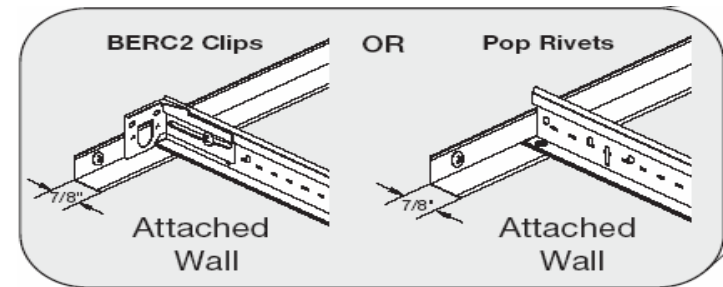
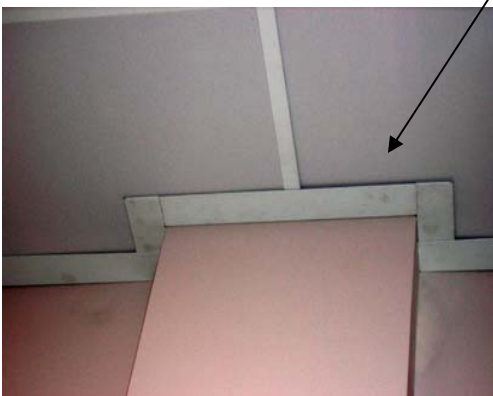
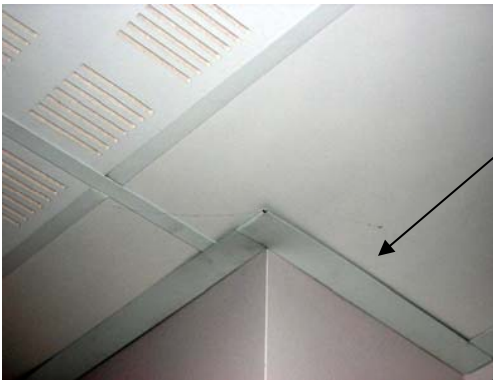
ESR-1308 Lists Specific Components and Method of Installation

The performance of the *Armstrong Seismic Rx Suspension System* is based on a specific combination of components and method of installation. *Other manufacturer's components and installation methods were not tested and are not covered in this evaluation. Substitution of other components puts the system at risk and is not allowed by this ESR report.*

Eliminate unsightly 2" angle installations!

2" angle is prone to the following installation problems.

- Difficult to keep "tight" to wall.
- Corners are difficult to install.
- 2" angle is prone to twisting and warping causing unsightly shadows where tile lays on the angle.



Please call me to update your Ceiling Specification or for any questions about this system or any other ceiling related issue!
Zachary Thon, Architectural & Contract Sales Manager
Mountain States Territory, West Region
VM: 877-276-7876, Option 8, Extension 8144
Office: 801-737-4569 FAX: 801-737-4572

